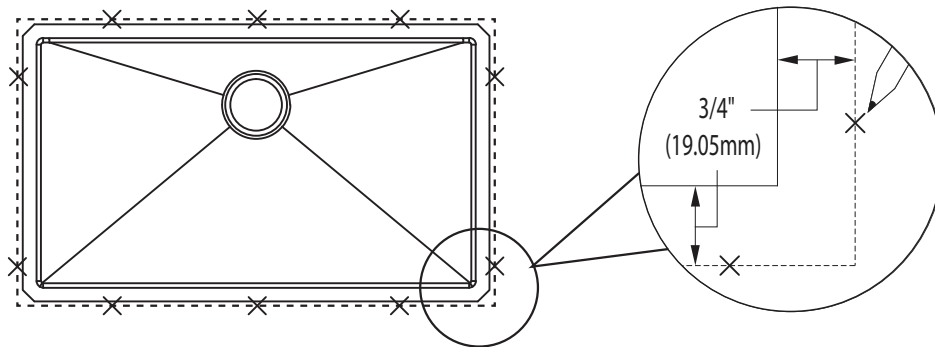


Mounting Bracket Hole Guide

WARNING! These instructions apply to included hardware **ONLY**.

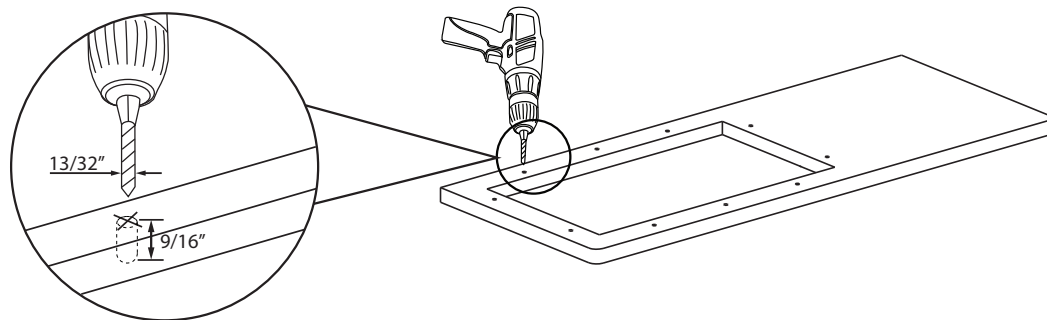
Mounting Bracket (sink clip) Set-Up

- Turn the countertop over and align the sink with the countertop.
- Decide the location for the mounting brackets.
- Mounting holes should be 3/4" from the edge of the sink.



Drill Holes Into Countertop

- Use a 13/32" diameter drill bit
- Drill 9/16" deep holes in the underside of the countertop.



Insert Anchors

- Gently fasten anchors into holes. Use a rubber mallet if necessary.

