

To ensure this product is installed properly, please read these instructions carefully before you begin.

Certain installations may require professional help. Also, be sure your installation conforms to local codes.

CAUTION: HANDLE WITH CARE. VITREOUS CHINA IS FRAGILE AND WILL PRODUCE SHARP EDGES IF BROKEN.

NOTE: Pictures may not exactly define the contour of the toilet and its components.

RECOMMENDED TOOLS AND MATERIALS:

- Putty Knife
- Hacksaw
- Adjustable Wrench
- Sealant
- Tape Measure
- Flathead Screwdriver
- Flexible Supply Hose
- Water Supply Kit
- Carpenter's Level
- Wax Ring/Gasket

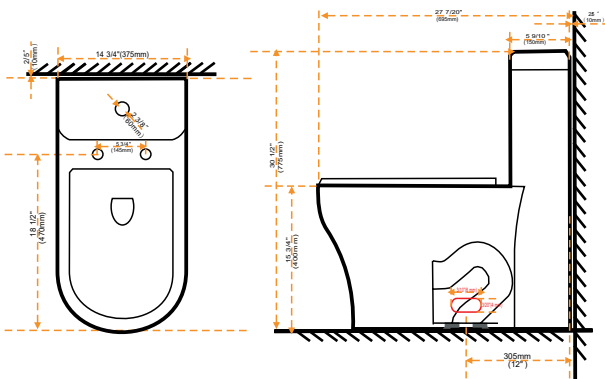
1 REMOVE OLD TOILET

- A. Turn off water supply valve and flush tank completely. Towel or sponge remaining water from tank and bowl.
- B. Disconnect and remove old water supply line. Note: If replacing valve, first shut off main water supply!
- C. Remove old mounting hardware, remove toilet and plug floor flange to block sewer gases from escaping.
- D. Remove closet bolts from flange and clean away old wax, putty, eel, from base area.

NOTE: MOUNTING SURFACE MUST BE CLEAN AND LEVEL BEFORE NEW TOILET IS INSTALLED

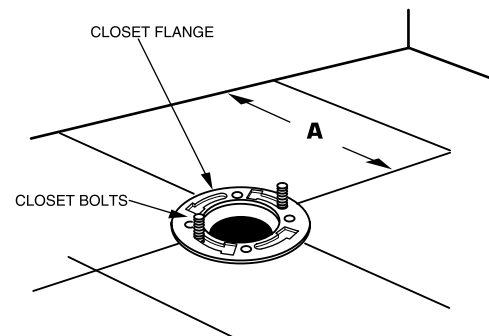
2 ROUGHING-IN DIMENSIONS:

NOTE: Distance from wall to closet flange centerline must be as listed on chart



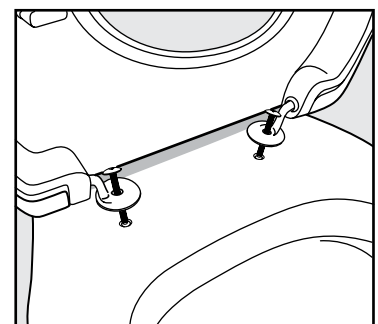
3 ROUGHING-IN DIMENSIONS:

Install closet bolts in flange channel, turn 90°, and slide into place. Floor bolts should be parallel to wall and 6\" (152mm) apart.

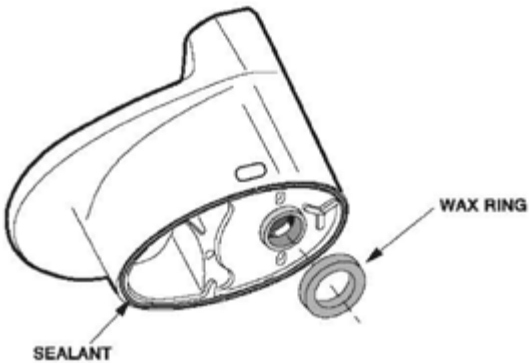


4 INSTALL TOILET SEAT

- A. Screw one washer and one nut onto each of the two metal hinges provided. From the top of the bowl, place each nut and washer through one of the seat holes
- B. With the seat in the upright position, insert the two metal hinges into the seat.
- C. Holding the nuts from underneath the bowl, screw the hinges tight against the bowl

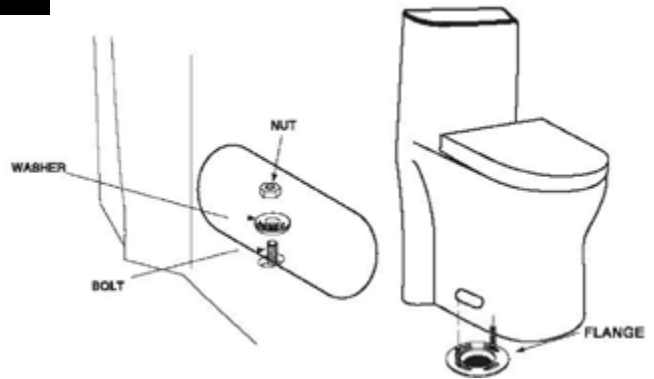


5 POSITION TOILET BOWL ON FLANGE



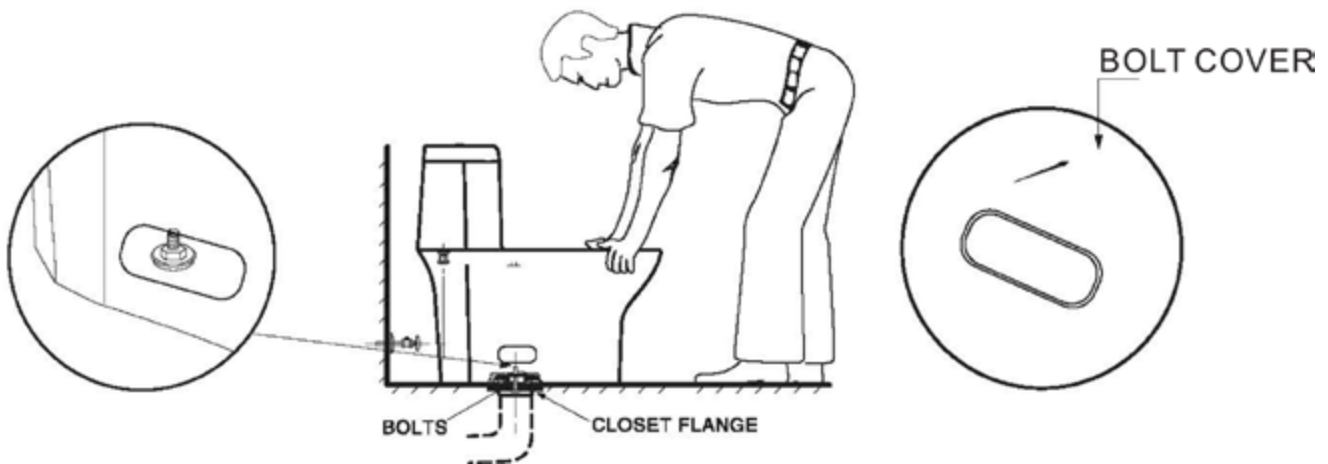
Turn toilet bowl down onto a towel or cushioned surface. Place the wax ring around the draining outlet of the bowl, and press firmly. Apply a thin bead of sealant around toilet base.

6 POSITION TOILET BOWL ON FLANGE



- A. Unplug floor waste opening and install toilet on closet flange so bolts project through mounting holes.
- B. Loosely install retainer washers and nuts. Side of washers marked "THIS SIDE UP" must face up!

7 INSTALL TOILET



- A. Position toilet squarely to wall, and with a rocking motion, press bowl down fully onto wax ring and flange. Next, tighten nuts until toilet is firmly seated on floor.

DO NOT OVERTIGHTEN NUTS BECAUSE VITREOUS CHINA CAN EASILY CRACK OR CHIP.

- B. Attach bolt covers to toilet.
- C. Smooth off the bead of sealant around base. Remove excess sealant